


ES-210

The image features a minimalist design with a white background. In the center, the text "ES-210" is displayed in a clean, black, sans-serif font. The lower portion of the image is dominated by large, overlapping geometric shapes. A dark gray triangle points upwards from the bottom center, overlapping a larger, medium-gray triangle that also points upwards. To the left, a light gray triangle points downwards, overlapping the other two. These shapes create a dynamic, abstract composition.

PENTAIR
PENTAIR

PENTAIR() EVERPURE()

1.

2.

3.

3.1

3.2

3.3

3.4

4.

4.1

4.2

4.3

4.4

5.

5.1

5.2

5.3

5.4

5.5

6.

6.1

6.2

1.

•

•

•

•

•

•

100%

•

0

•

•

•

•

•

•

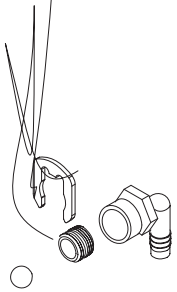
•

2-49

•

2

- 1.
- 2.
- 3.
- 4.
- 5.
- 6.



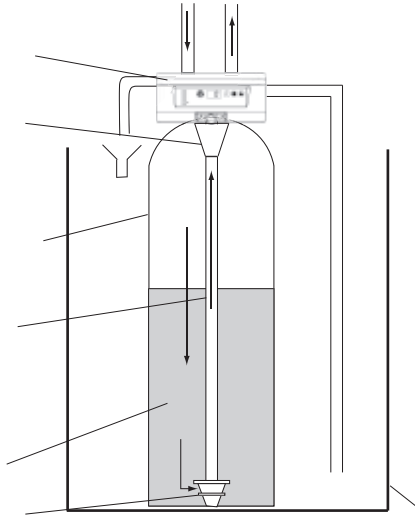
3.

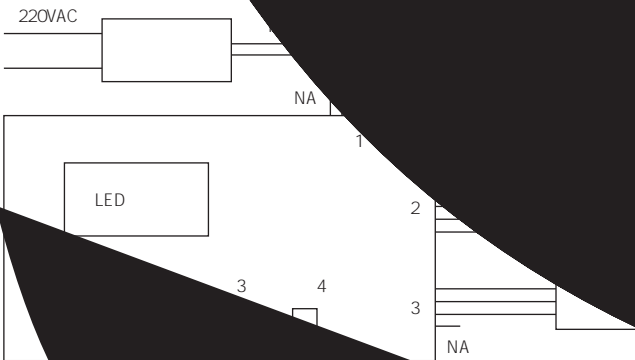
3.1

— 2001

3.2

3.2.1





3.3

	ES-210
/	3/4" (25mm)BSPT
	0.14 0.35MPa
	0.9m ³ /h
	1.5m ³
	8000m ³
	2001
	12L
	10kg
	220V-50Hz
	8W
	4 38
	2 49
* *	500*280*510mm
	1/2" (12.7mm)
	3/8" (9.5mm)

3.4

		/			
1		0.6-0.8mm		12L	10
2		250mm 400mm		1	10
3		25L		1	10
4		222mm × 222mm × 119mm	+	1	10
5		25mm	PVC	1	10
6		25	ABS	1	10
7		25	ABS	1	10

4.

4.1

-

-

- a). 55cm × 30cm
- b). 66cm
- c). 40-160cm

- d). 10.2cm
- e). / 220V-50Hz
- f). 8W
- g). 2m
- h).
- j). 4°C 38°C
- k). 0.14MPa 0.35MPa

•

2°C 49°C

•

•

40-160cm

10cm

•

•

0.14 0.35MPa

•

•

•

•

10

•

Y

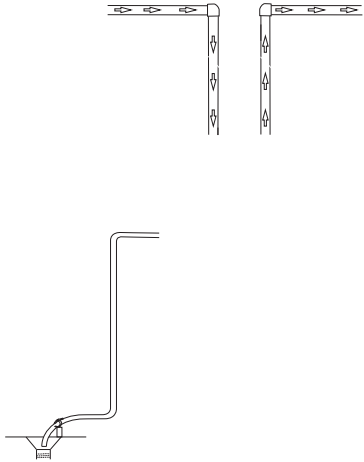
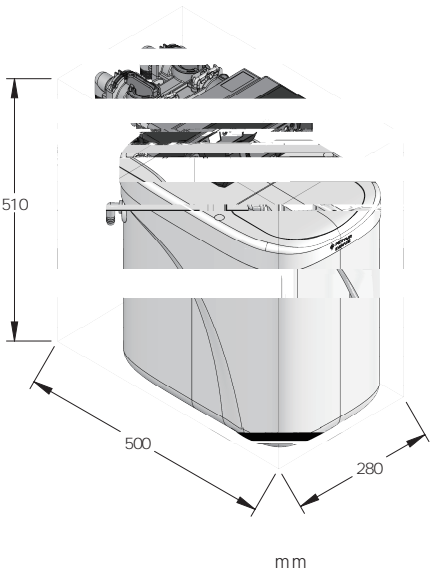
•

6m

•

4.2

4.3



4.4

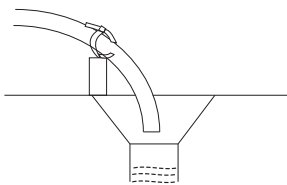
4.4.1

- 0
- 100% 0

-
-
-

4.4.2

-
-
-
-
-
-



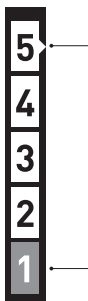
4.4.3

- 1/2"
-



4.4.4

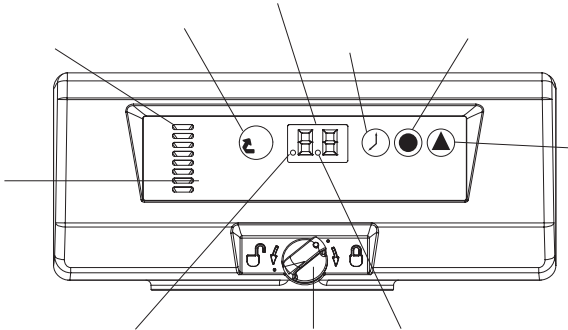
5



5.

5.1

5.1.1



5.1.2



0 23



0.20kg 6.0kg

0.20kg 1.0kg 0.05kg

1.0kg 3.0kg 0.1kg

3.0kg 6.0kg 0.5kg



0.40 9.5m³

0.4m³ 1.0m³ 0.05m³ 12

1.0m³ 3.0m³ 0.1m³ 20

3.0m³ 5.0m³ 0.2m³ 10

5.0m³ 9.5m³ 0.05m³(10

5.1.3

2 00)



3



--

5.1.4

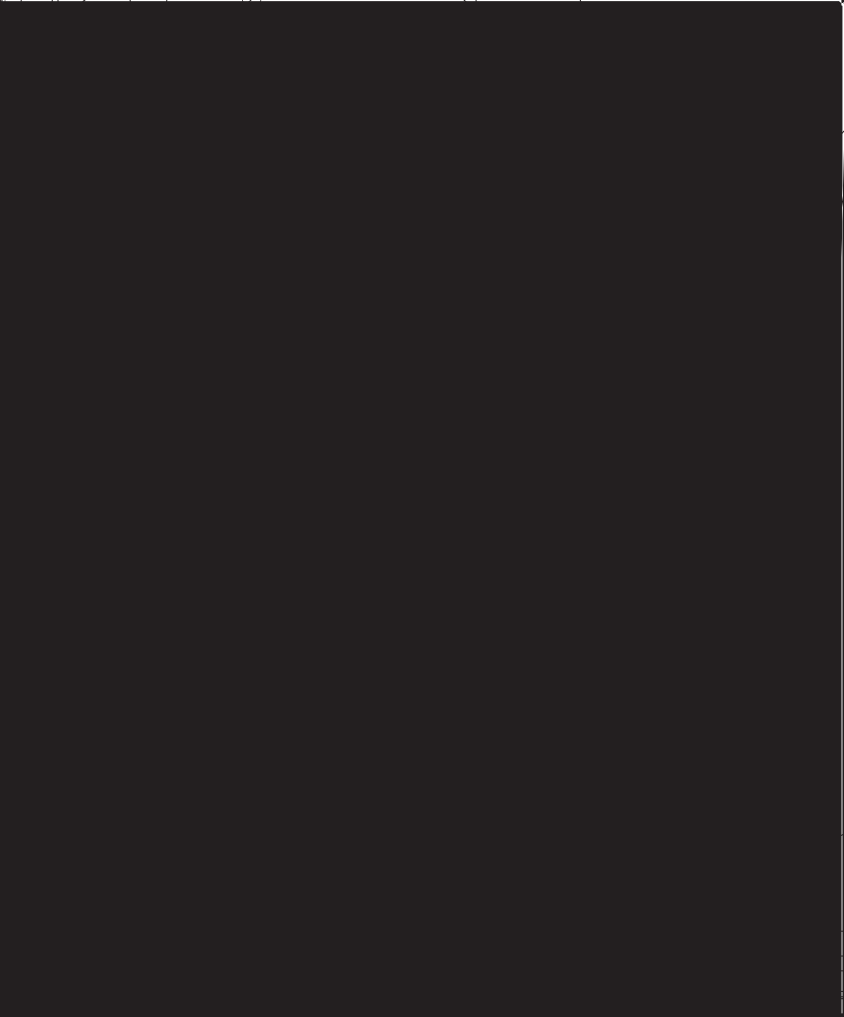


3

" C1"




1.




2



5.1.5

4

1.   3
 2. " u"
 3. 
 4. 5

1.   3 " 0"
 2. " u"
 3.  " u0"
 4. 5 1
 5. 1-4

u1	
u2	
u3	
u4	
u0	

5.1.6

  3








- 0=
 0.3= 8
 0.5= 12
 1-30=

5.1.7

- Err3
- u1 0.6kg

ES-210	
ppm	T
50	8.00
100	4.00
150	2.67
200	2.00
250	1.60
300	1.33
350	1.14
400	1.00
450	0.89
500	0.80
550	0.73
600	0.67
650	0.62
700	0.57
750	0.53
800	0.50
kg	0.6

- 4-5L
- " "
-  3 [] C1 1/4
- ,
-   C2
-  

C7

①

5.1.8

/

5.2

" "

<0.3mg/L

<3NTU

0.14MPa

0.6MPa

220V-50Hz

8

8

8

1.5

3

30

⌚

4

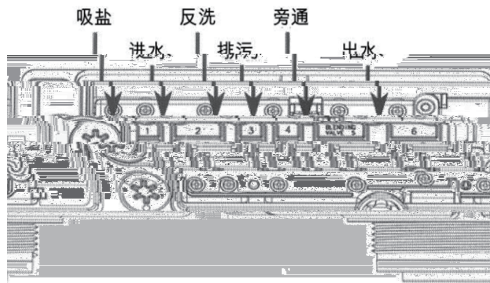
H2

5

H1		
H2		/
H3		
H4	200	9,999 65,535
H5		
A0	0	
A1	1	
A2	2	
A3	3	
A4	4	
A5	5	
A6	6	

-
-
-

?AE~^~Rû•1/*8 '3?pL\†•RPNg9uS8 ?pL\†•RP<œ•ë'1}¥y&â0@Jç÷x oE±[•æ{j[k07/*8 t^P \~ /ÿyžE±[•æ
['ç•Ng° &¥



Err 1		Err 1
Err 3	Err 3	1. 2.
	5	1. 2.

6.

6.1



1

1

2

3

4



5

6

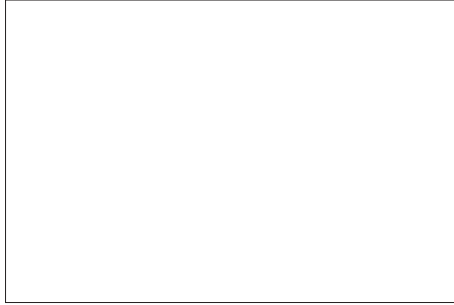
7

8

800-820-6671

400-820-6671

09:00-19:00



371

215011

800-820-6671

400-820-6671

www.pentairwater.cn

MPMA003_A